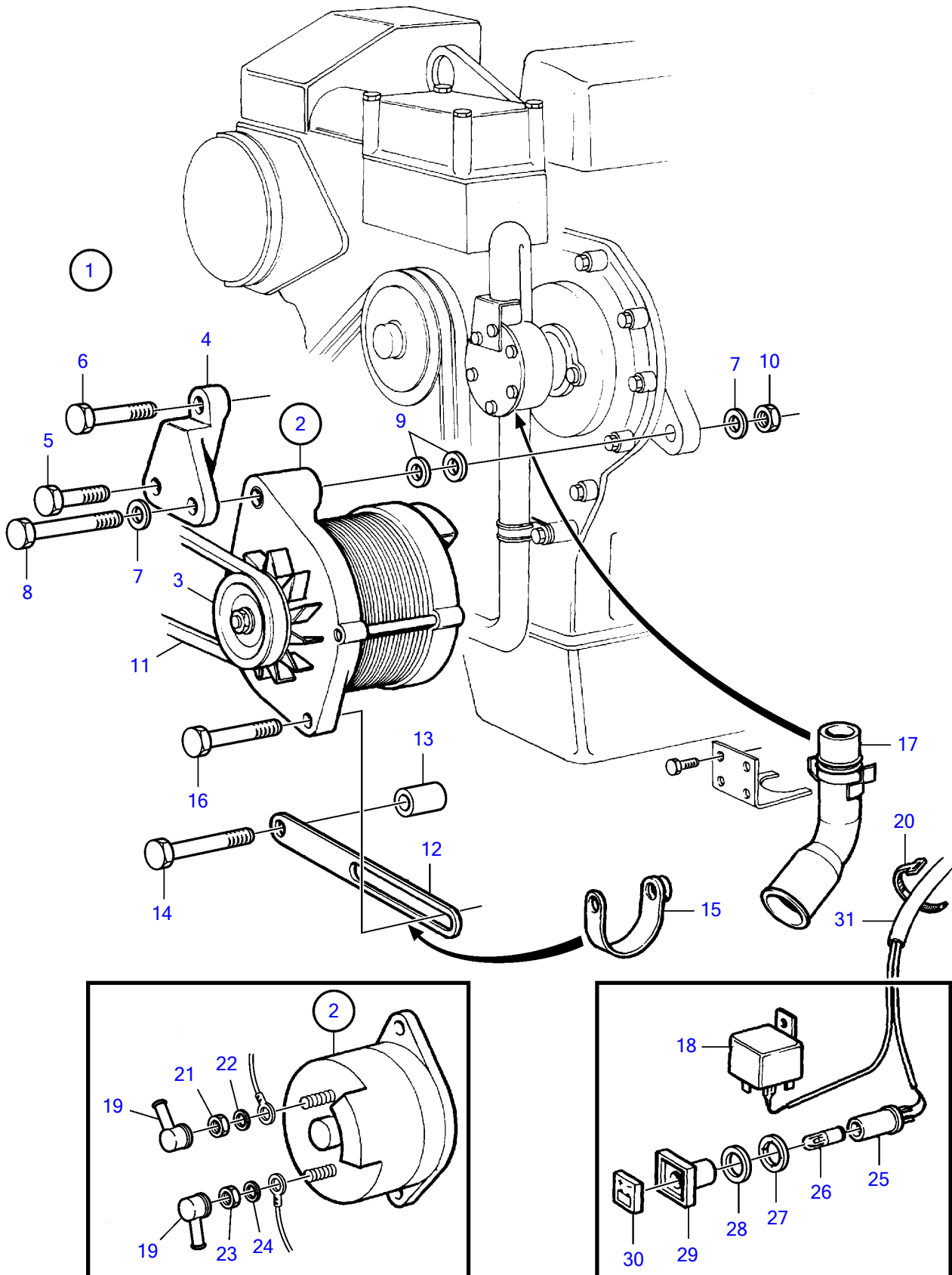


AD31L-A, AD31P-A, AD41L-A, AD41P-A, D41L-A, TAMD31L-A, TAMD31M-A, TAMD31P-A, TAMD31S-A, TAMD41H-A, TAMD41H-B, TAMD41P-A, TAMD41L-A, TAMD41M-A, TMD31L-A, TMD41L-A



AD31L-A, AD31P-A, AD41L-A, AD41P-A, D41L-A, TAMD31L-A, TAMD31M-A, TAMD31P-A, TAMD31S-A, TAMD41H-A, TAMD41H-B, TAMD41P-A, TAMD41L-A, TAMD41M-A, TMD31L-A, TMD41L-A

REF	PART NO.	QTY	DESCRIPTION	SEE SEC.	NOTES
1	(858620)	1	Alternator kit		12V 50A, Obsolete part
2	872926	1	• Alternator		14V 50A
			• •		Replaced by 872235
			•	1029	
	872235	1	• Alternator		14V 60A
	3803260	1	• Alternator, exch, exch		14V 60A
			• •		
			•	448	
3	841813	1	• Pulley		
4	843057	1	• Bracket		
5	965183	1	• Flange screw		
6	965180	1	• Flange screw		
7	941908	2	• Spring washer		
8	968237	1	• Flange screw		
9	192495	2	• Washer		
10	971095	1	• Flange nut		
11	978696	1	• V-belt		
12	843055	1	• Tensioner		
13	843075	1	• Spacer sleeve		
14	965183	1	• Flange screw		
15	466735	1	• Tensioning eyelet		
16	947760	1	• Flange screw		
17	858559	1	• Hose connection		
18	1324492	1	• Relay		(872300)
19	842150	1	• Protective cap		
20	948211	X	• Cable tie		
21	955780	1	• Hexagon nut		
22	941905	1	• Spring washer		
23	955781	1	• Hexagon nut		
24	941906	1	• Spring washer		
25	808175	1	• Lamp socket		
26	19923	1	• Bulb		
27	967583	1	• Retainer		
28	829714	1	• Sealing ring		
29	838455	1	• Retainer		
30	838457	1	• Symbol strip		
31		X	• cables and terminals		